

Celcon Blocks



Celcon Blocks in Solar, Standard, High Strength and Super Strength Grades are the most commonly used aircrete block in the H+H range.



All Celcon Blocks are BBA certified, are fire resistant (100mm walls, up to 4 hours, 2 hours if loadbearing dependant upon the Grade) and have been classified 0 surface spread of flame and non-combustible to Class A1 (the highest class). Celcon Blocks are available in thicknesses from 75mm to 215mm and can be used in the applications listed.

Applications

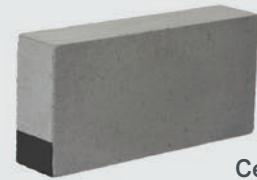
- Internal and external leaf of cavity walls
- Solid walls
- Separating walls (except Solar Grade)
- Partitions
- Flanking walls
- Multi storey buildings
- Foundations/Below ground level
- Beam and Block floors (except Solar Grade)



Celcon Block
Solar Grade



Celcon Block
Standard Grade



Celcon Block
High Strength Grade



Celcon Block
Super Strength Grade



Celcon Blocks

Face size	All Grades 440mm x 215mm				
Block Thickness (mm)	75	100	140	150	215
Solar Grade Weight (kg) [†]	-	5	8	8	12
Standard Grade Weight (kg) [†]	5	7	10	11	16
High Strength Grade Weight (kg) [†]	-	10	14	15	21
Super Strength Grade Weight (kg) [†]	-	10	14	15	-

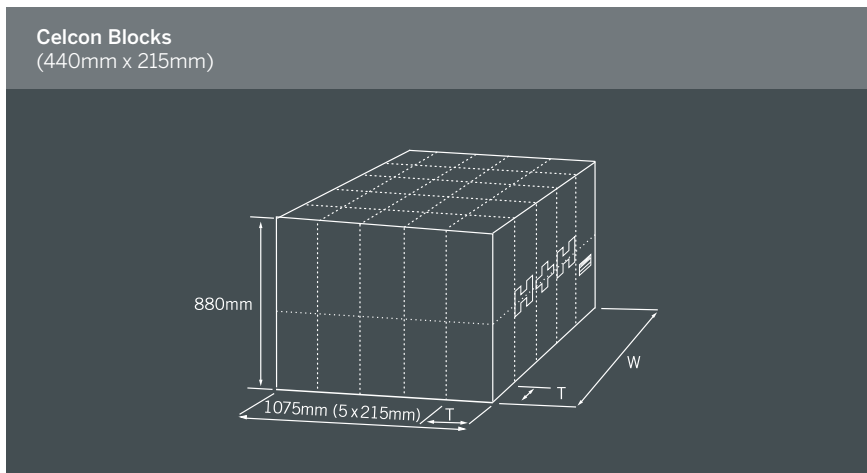
[†] Blocks weights at typical moisture content when laid. (Some manufacturers may quote weights which have not allowed for this.)

All shaded areas indicate that the product is a stock item at all factories, other sizes can be made to order subject to minimum quantities.

	Solar Grade	Standard Grade	High Strength Grade	Super Strength Grade
Compressive Strength	2.9N/mm ²	3.6N/mm ²	7.3N/mm ²	8.7N/mm ²
Thermal Conductivity	0.11 W/mK	0.15 W/mK	0.18 W/mK	0.18 W/mK
Density	460 kg/m ³	600 kg/m ³	730 kg/m ³	730 kg/m ³

Pack information	440mm x 215mm				
Block Thickness (mm) = T	75	100	140	150	215
Coverage per pack (m ²)	13.0	10.0	7.0	7.0	5.0
Number of blocks per pack	130	100	70	70	50
Pack width (mm) = W	975	1000	980	1050	1075
Pack Weight – Solar Grade (kg)*	-	550	539	577	591
Pack Weight – Standard Grade (kg)*	710	730	715	765	785
Pack Weight – High Strength (kg)*	-	980	960	1030	1055

* Pack weight excludes pallet.



For further information and to check our most up-to-date product range please visit our website www.hhcelcon.co.uk or contact the following departments:

Sales

For sales enquiries or to find your local stockist please contact
Tel: 01732 886444
Fax: 01732 887013

Technical

For technical enquiries please contact
Tel: 01732 880580
Fax: 01732 887013
Email: technical.services@hhcelcon.co.uk