

Celcon Blocks – Flooring



Beam and block floors are constructed using Celcon Blocks. Ideal infill for domestic beam and block flooring systems. With their inherent thermal properties, these blocks provide a significant contribution to energy conservation.



Celcon Block 440 x 215mm Standard grade is ideal as an infill block.

All Celcon Blocks are covered by a BBA certificate for use as infill in beam and block floors.

Temporary (construction) loading should not exceed the floor design load, with adequate spreaders used where necessary to ensure protection from damage and load spreading.

Applications

- Flooring



H+H UK will always endeavour to reflect our product range and technical information as accurately as possible. We may however, need to update both from time to time. Please check with either our Sales or Technical departments to obtain the latest information prior to specification and purchase.

Celcon Blocks – Flooring

Face size	Celcon Floorblock 440mm x 215mm
Block Thickness (mm)	100
Block Weight (kg)[†]	7.0

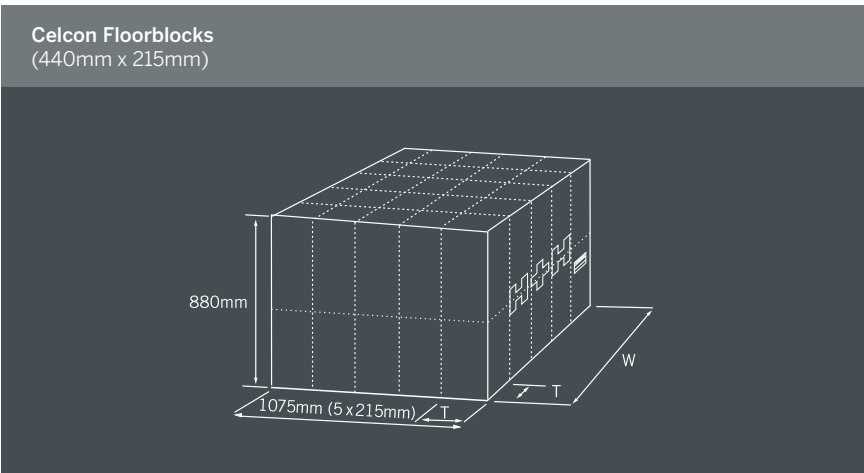
† Blocks weights at typical moisture content when laid. (Some manufacturers may quote weights which have not allowed for this.)

All shaded areas indicate that the product is a stock item at all factories, other sizes can be made to order subject to minimum quantities.

	Standard Grade when used as a floorblock
Compressive Strength	3.6N/mm ²
Thermal Conductivity	0.15 W/mK
Density	600 kg/m ³

Pack information	440mm x 215mm
Block Thickness (mm) = T	100
Coverage per pack (m²)	10
Number of blocks per pack	100
Pack Weight (kg)*	729

* Pack weight excludes pallet.



For further information and to check our most up-to-date product range please visit our website www.hhcelcon.co.uk or contact the following departments:

Sales

For sales enquiries or to find your local stockist please contact
Tel: 01732 886444
Fax: 01732 887013

Technical

For technical enquiries please contact
Tel: 01732 880580
Fax: 01732 887013
Email: technical.services@hhcelcon.co.uk