

# H+H Celcon Elements

H+H Celcon Elements are a new generation of mechanically handled aircrete product that build on the efficiency of thin-layer construction. These products offer all the benefits of aircrete material with proven site productivity.



Developed to enhance the key benefits of our thin-joint system; speed and quality of build with reduced waste, H+H UK's Celcon Elements offer all the attributes of aircrete as a building material whilst offering additional value to the project.

These 100mm thick Celcon Elements can be used in housing as well as commercial or mixed tenure projects. Suitable for internal partition and the internal leaf of an external wall, the products offer solutions to meet the requirements of the Building Regulations for Education, Health, Care Homes, Retail outlets, Hotels, Commercial buildings, Leisure, Offices as well as Housing (social and private).

H+H Celcon Elements are made to extremely tight manufacturing dimensional tolerances, supplied specifically for use with a combination of ancillary products and bonded using H+H's proprietary element mortar to provide a nominal 3mm joint. This ensures a quality and quick build with little or no site wastage.

H+H Celcon Elements are sold as a package including most materials required to build the walls and priced accordingly.

## Aircrete Benefits

- Excellent thermal insulation
- Excellent fire resistance
- Strong
- Good Thermal Mass
- Airtight
- Excellent Sound insulation
- Robust and Durable
- Lightweight
- Sustainable
- User friendly
- Design flexibility

# H+H Celcon Elements



## H+H Celcon Elements Technical Data

<b>Dimensions (mm) (LxHxT)</b>	600 x 2325 x 100*
<b>Strength** (N/mm<sup>2</sup>)</b>	4.0
<b>Density (kg/m<sup>3</sup>)</b>	575
<b>Thermal Conductivity (W/mK)</b>	0.17
<b>Fire Resistance</b>	Non-Combustible to Class A1 Class 0 Surface Spread of Flame 4 hours, 2 hours if loadbearing

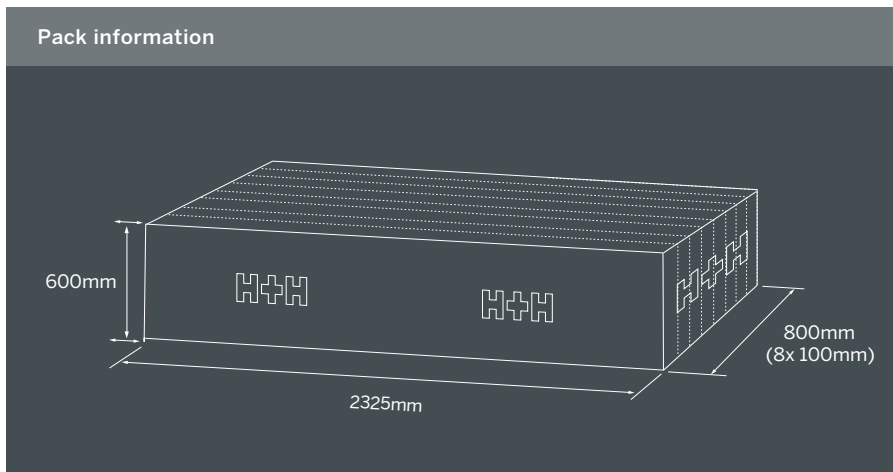
\* Other heights may be available

\*\* Strength quoted in accordance with EN12602

## Technical Assistance

As the element system of build may not be appropriate for all projects, benefit will be gained from arranging a visit from a member of our technical sales team to discuss the specific project and any enhanced solutions that may be required.

## Pack information



For further information and to check our most up-to-date product range please visit our website [www.hhcelcon.co.uk](http://www.hhcelcon.co.uk) or contact the following:

Tel: 01732 880580

Fax: 01732 887013

Email: [technical.services@hhcelcon.co.uk](mailto:technical.services@hhcelcon.co.uk)