

Celcon Plus Blocks



Celcon Plus Blocks are 630mm long and provide an alternative to the 440 x 215mm face format block and are suitable for the same applications.



This range is produced using the latest manufacturing technology which rank them amongst the most dimensionally accurate blocks available.

Celcon Plus Blocks are available in Solar Grade 2.9N/mm², Standard Grade 3.6N/mm², High Strength Grade 7.3N/mm² and Super Strength Grade 8.7N/mm².

Applications

- Internal and external leaf of cavity walls
- Solid walls
- Separating walls (except Solar Grade)
- Flanking walls
- Partitions
- Multi storey buildings
- Foundations



Celcon Plus Blocks

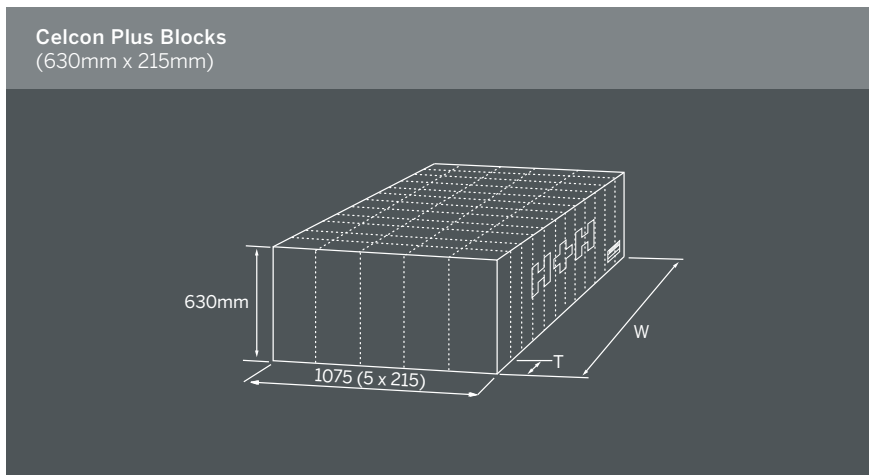
Face size	Celcon Plus Blocks 630mm x 215mm				
Block Thickness (mm)	100	140	150	200	215
Solar Grade Weight (kg) [†]	8	11	12	16	17
Standard Grade Weight (kg) [†]	10	14	15	20	-
High Strength Grade Weight (kg) [†]	12	17	18	24	-
Super Strength Grade Weight (kg) [†]	12	17	18	24	-

[†] Blocks weights at typical moisture content when laid. (Some manufacturers may quote weights which have not allowed for this.)

All shaded areas indicate that the product is a stock item at all factories, other sizes can be made to order subject to minimum quantities.

	Solar Grade	Standard Grade	High Strength Grade	Super Strength Grade
Compressive Strength	2.9N/mm ² *	3.6N/mm ² *	7.3N/mm ² *	8.7N/mm ² *
Thermal Conductivity	0.11 W/mK	0.15 W/mK	0.18 W/mK	0.18 W/mK
Density	460 kg/m ³	600 kg/m ³	700 kg/m ³	700 kg/m ³

Pack information	630mm x 215mm			
Block Thickness (mm) = T	100	140	150	200
Coverage per pack (m ²) – 10mm joint	8.6	5.8	5.8	4.3
Coverage per pack (m ²) – 2mm joint	8.2	5.5	5.5	4.1
Number of blocks per pack	60	40	40	30
Pack width (mm) = W	1200	1120	1200	1200
Pack Weight – Solar Grade (kg)*	472	441	472	472
Pack Weight – Standard Grade (kg)*	618	577	618	618
Pack Weight – High Strength/Super Strength (kg)*	719	671	719	719



For further information and to check our most up-to-date product range please visit our website www.hhcelcon.co.uk or contact the following departments:

Sales

For sales enquiries or to find your local stockist please contact
Tel: 01732 886444
Fax: 01732 887013

Technical

For technical enquiries please contact
Tel: 01732 880580
Fax: 01732 880581
Email: technical.services@hhcelcon.co.uk