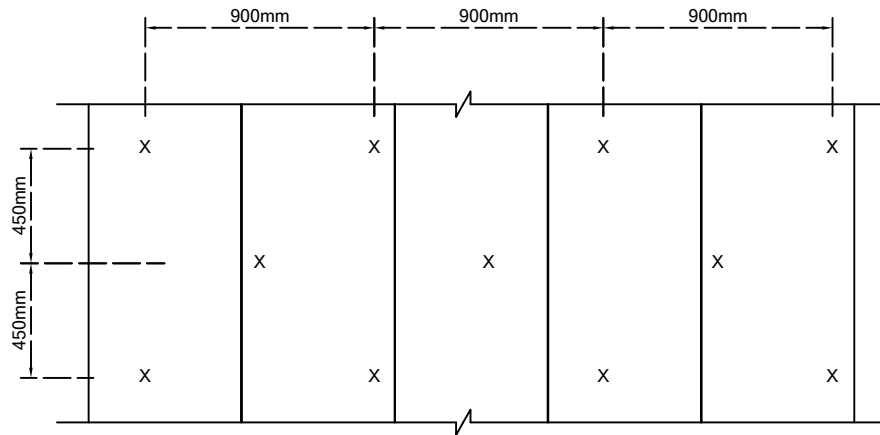


External walls

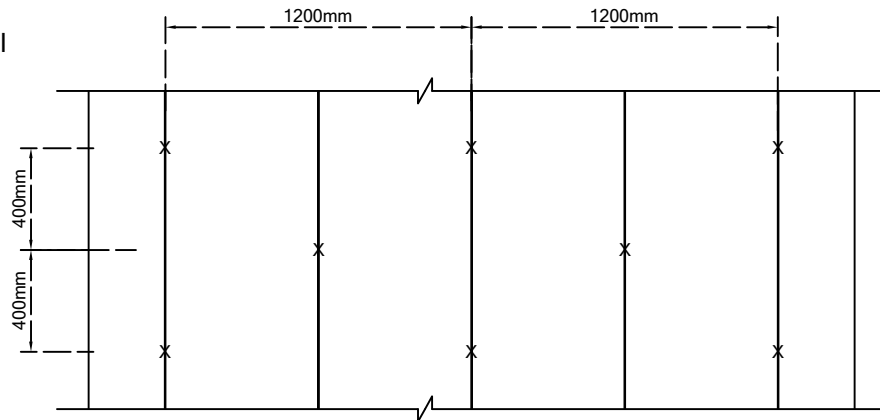


Ties installed in staggered pattern
2.5 ties per m²

Note:

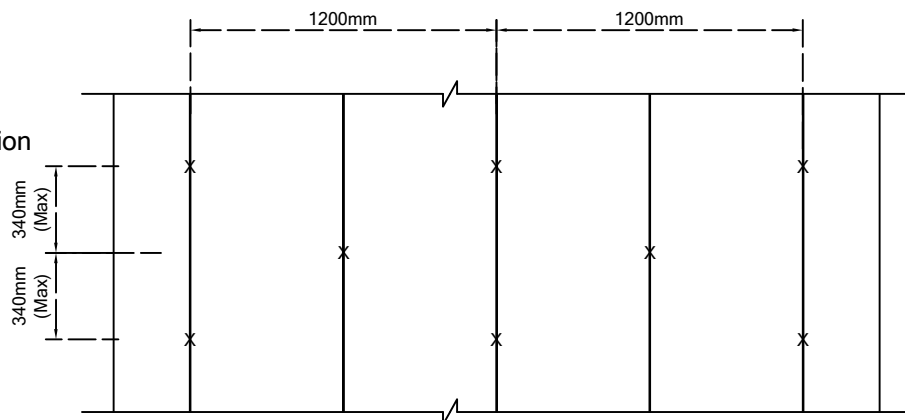
- 1.) Vertical spacing reduced to 300mm max adjacent openings or movements joints
- 2.) Ties should be installed at a minimum of 50mm from any edge of Vertical Wall Panel.

Party walls -
(assuming not restricted by party wall roll dimensions)



Ties installed in staggered pattern
2.1 ties per m²
(e.g. results in a recurring 3/2/3/2 tie pattern with 2325mm element)

Cavity garage walls -
for cavity walls exposed to wind pressure.
(assuming not restricted by insulation dimensions)



Ties installed in staggered pattern
2.5 ties per m²

| REV. | DATE. | DESCRIPTION. | BY. |
|------|----------|--|------|
| 04. | 28/9/18. | wall tie spacing note amended | MAB. |
| 03. | 27/4/18. | 3rd option for garage cavity walls added | MAB. |
| 02. | 17/4/18. | Horizontal sectional lines added. | MAB. |
| 01. | 2/3/17. | Wall tie spacing amended. | MAB. |

These details have been produced for guidance only. It is the responsibility of the building designer to ensure that the details shown are compatible with the overall building design and will satisfy the relevant parts of the Building Regulations applicable before they are adopted into the project design.

H+H UK Limited
Technical Services Dept.
Celcon House
Ighiteam, Sevenoaks
Kent, TN15 9HZ
Tel +44 (0)1732 880580
E-mail tsd@hhcelcon.co.uk

| | | |
|--|------------|---------|
| TITLE | | |
| Vertical Wall Panel wall tie spacings | | |
| DWG No. VED007 | | |
| DRAWN BY | CHECKED BY | |
| MAB | SJK | |
| DATE | SCALE | REV.NO. |
| 18/08/15 | NTS | 04 |